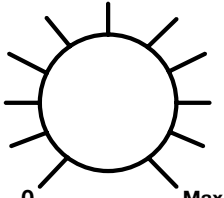
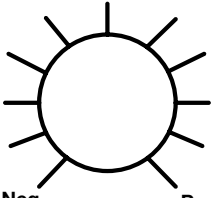


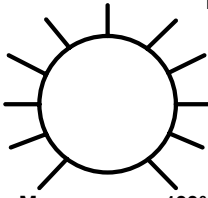
Delta Lab JR700 Recall Sheet



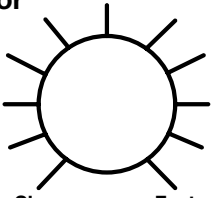
Input Level



Feedback

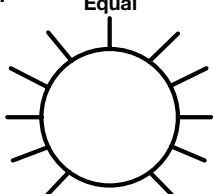


Delay Width



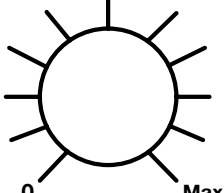
Speed

Modulator

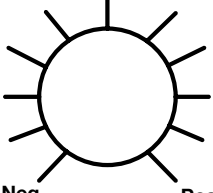


Digital Delay

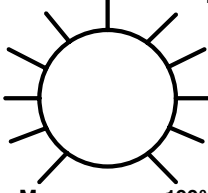
Function	Range (ms)
Lg Echo	176-704
Sh Echo	44-176
Double	11-44
Flange	3-11



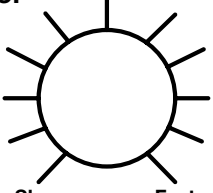
Input Level



Feedback

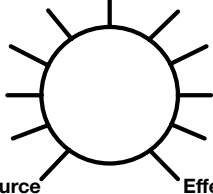


Delay Width



Speed


Modulator



Digital Delay

Function	Range (ms)
Lg Echo	176-704
Sh Echo	44-176
Double	11-44
Flange	3-11

Notes


Sound Recording Technology
 University of Massachusetts Lowell
 35 WILDER STREET SUITE 3
 LOWELL, MASS 01854
 (978) 934-3850

Date: _____ Page: ____ of ____
 Studio/Machine: _____
 Course/Lab: _____
 Eng/Assist: _____
 Artist: _____

Created By: Rachael Thompson
SRT '24