

### MODEL BETA 58® SUPERCARDIOID DYNAMIC VOCAL MICROPHONE



#### OVERVIEW

The Shure BETA 58A is a high-output supercardioid dynamic vocal microphone designed for professional sound reinforcement and project studio recording. It maintains a true supercardioid pattern throughout its frequency range. This insures high gain before feedback, maximum isolation from other sound sources, and minimum off-axis tone coloration. The BETA 58A has a

shaped frequency response that is ideal for close-up vocals. The superb performance of this microphone is not affected by rough handling because of its rugged construction, proven shock mount system, and hardened steel mesh grille. Typical applications for the BETA 58A include lead vocals, backup vocals and speech.

#### FEATURES

- Frequency response tailored for vocals, with brightened midrange and bass rolloff to control proximity effect
- Uniform supercardioid pattern for high gain before feedback and superior rejection of off-axis sound
- Neodymium magnet for high signal-to-noise output
- Hardened steel mesh grille that resists wear and abuse
- Advanced pneumatic shock mount system that minimizes transmission of mechanical noise and vibration
- Minimally effected by varying load impedance
- Legendary Shure quality and reliability

#### SPECIFICATIONS

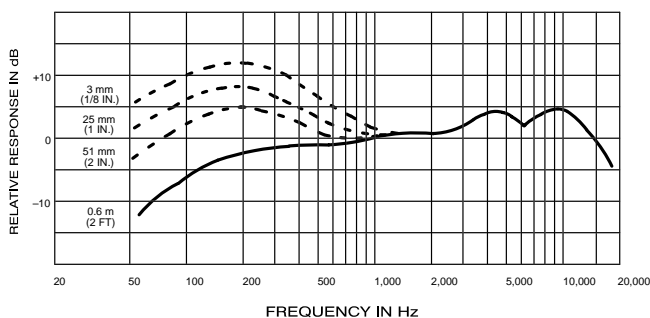
##### Type

Dynamic (moving coil)

##### Frequency Response

50 to 16,000 Hz (see Figure 2)

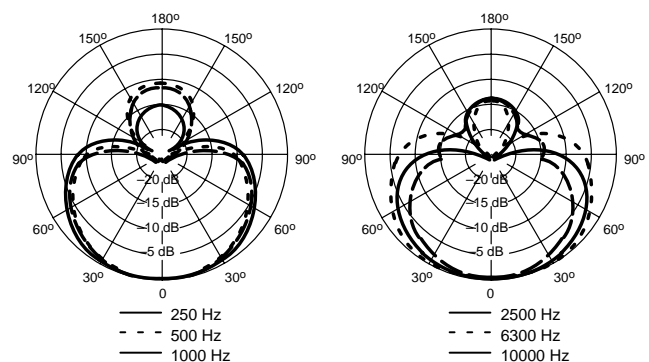
**NOTE:** The curve below shows on-axis response at a distance of 2 feet from a uniform sound source. Your response may vary, depending on microphone position.



TYPICAL FREQUENCY RESPONSE

##### Polar Pattern

Supercardioid, rotationally symmetrical about microphone axis, uniform with frequency (see Figure 3)



TYPICAL POLAR PATTERNS

##### Output Level (at 1,000 Hz)

Open Circuit Voltage:  $-51.5 \text{ dBV/Pa}^*$  (2.6 mV)

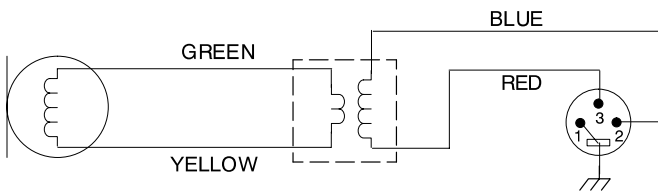
\*1 Pa = 94 dB SPL

##### Impedance

Rated impedance is  $150 \Omega$  (290  $\Omega$  actual) for connection to microphone inputs rated low Z

**Phasing**

Positive pressure on diaphragm produces positive voltage on pin 2 with respect to pin 3. See Figure 4.



INTERNAL WIRING

**Case**

Silver blue enamel painted die cast metal with hardened,

**FURNISHED ACCESSORIES**

- Adjustable Stand Adapter ..... A25D
- 5/8" to 3/8" (Euro) Thread Adapter ..... 95A2050
- Cartridge ..... R176

**REPLACEMENT PARTS**

- Grille Assembly ..... RK265G
- Plug (Connector) Assembly ..... 90F1984
- Storage Bag ..... 26A21

**OPTIONAL ACCESSORIES**

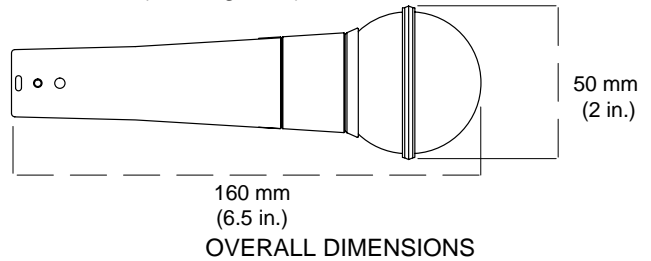
- Windscreen ..... A58WS Series (8 colors available)
- Isolation Mount ..... A55M, A55HM
- 7.6 m (25 ft.) Cable ..... C25E, C25F

matte-finished, spherical steel mesh grille

**Adjustable, Stand Adapter**

Slip-in microphone mounting, unbreakable, adjustable through 180° with standard 5/8"-27 thread, black finish

**Dimensions (See Figure 5)**



OVERALL DIMENSIONS

**Net Weight**

278 grams (9.92 oz)