

E1068L Set Up Sheet

ARTIST:

NOTES:

ENGINEER:

DRAWN BY:

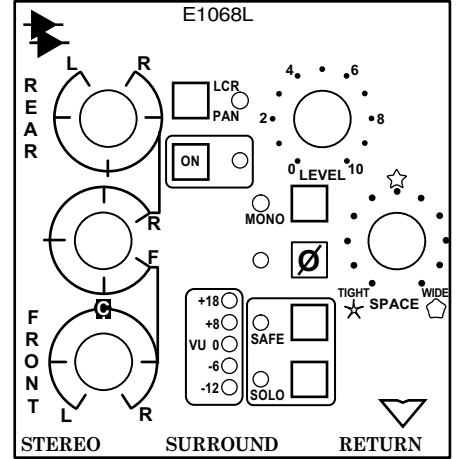
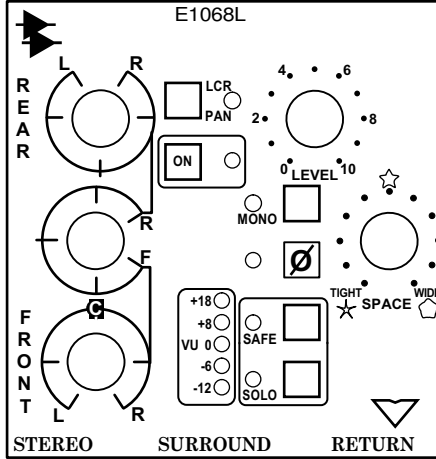
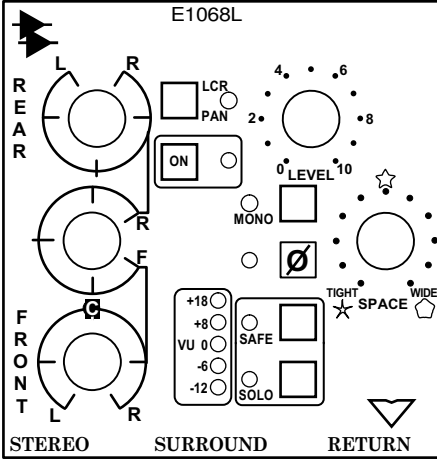
DATE:

STUDIO:

CHAN#

CHAN#

CHAN#



TITLE

TITLE

TITLE

NOTES

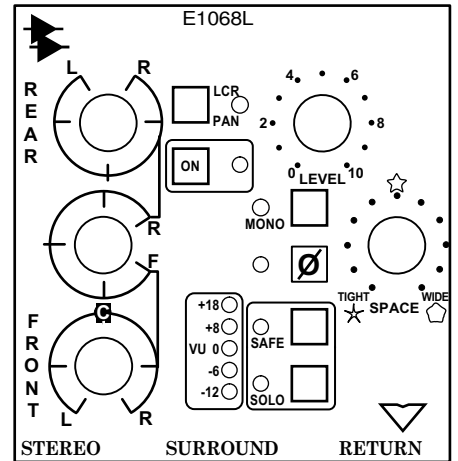
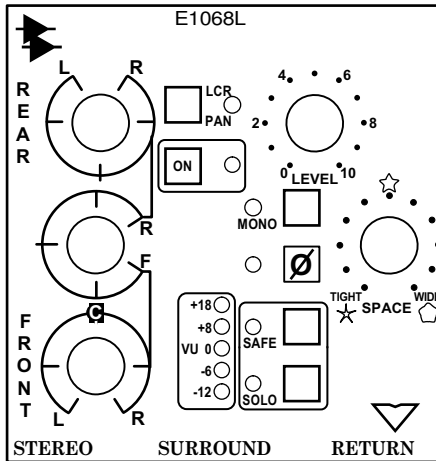
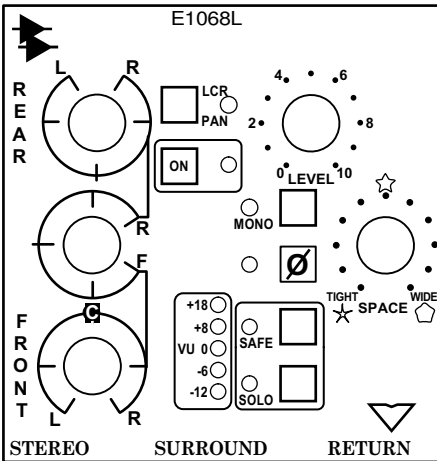
NOTES

NOTES

CHAN#

CHAN#

CHAN#



TITLE

TITLE

TITLE

NOTES

NOTES

NOTES